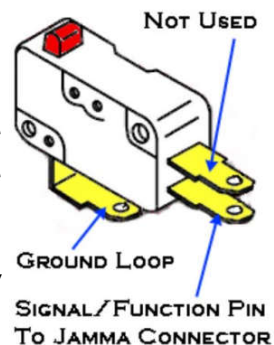


## JAMMA Harness w/.187" Quick Disconnects

### PN: RA-WIRE-HARNESS



Every joystick and button micro switch must be connected in the same manner. Ground wire to the ground loop and the appropriate JAMMA wire to the normally open terminal as illustrated.

In the table below X indicates that there is no wire present. If you need any of these functions, you will need to solder in your own wire.

FUNCTION	WIRE COLOR		PIN	PIN		WIRE COLOR	FUNCTION
GROUND	BLACK		A	1		BLACK	GROUND
GROUND	BLACK		B	2		BLACK	GROUND
+5VDC	RED		C	3		RED	+5VDC
+5VDC	RED		D	4		RED	+5VDC
-5VDC	GREEN		E	5		GREEN	-5VDC
+12VDC	YELLOW		F	6		YELLOW	+12VDC
KEY SLOT		X	G	7	X		KEY SLOT
COIN COUNTER 2	ORANGE		H	8		ORANGE	COIN COUNTER 1
LOCKOUT COIL 2		X	J	9	X		LOCKOUT COIL 1
SPEAKER -	WHITE		K	10		WHITE	SPEAKER +
OPTIONAL P2 FIRE 6	BLACK		M	11		BLACK	OPTIONAL P1 FIRE 6
VIDEO GREEN	GREEN		N	12		RED	VIDEO RED
VIDEO V. SYNC	WHITE		P	13		BLUE	VIDEO BLUE
SERVICE	RED		R	14		BLACK	VIDEO GROUND
TILT		X	S	15		ORANGE	TEST
COIN 2	GREEN		T	16		GREEN	COIN 1
P2 START	BROWN		U	17		BROWN	P1 START
P2 UP	RED		V	18		RED	P1 UP
P2 DOWN	ORANGE		W	19		ORANGE	P1 DOWN
P2 LEFT	YELLOW		X	20		YELLOW	P1 LEFT
P2 RIGHT	GREEN		Y	21		GREEN	P1 RIGHT
P2 FIRE 1	BLUE		Z	22		BLUE	P1 FIRE 1
P2 FIRE 2	VIOLET		AA	23		VIOLET	P1 FIRE 2
P2 FIRE 3	GRAY		BB	24		GRAY	P1 FIRE 3
P2 FIRE 4	WHITE		CC	25		WHITE	P1 FIRE 4
P2 FIRE 5	PINK		DD	26		PINK	P1 FIRE 5
P2 FIRE 6	BLACK		EE	27		BLACK	P1 FIRE 6
GROUND	BLACK		FF	28		BLACK	GROUND
SOLDER SIDE				COMPONENT (PARTS) SIDE			



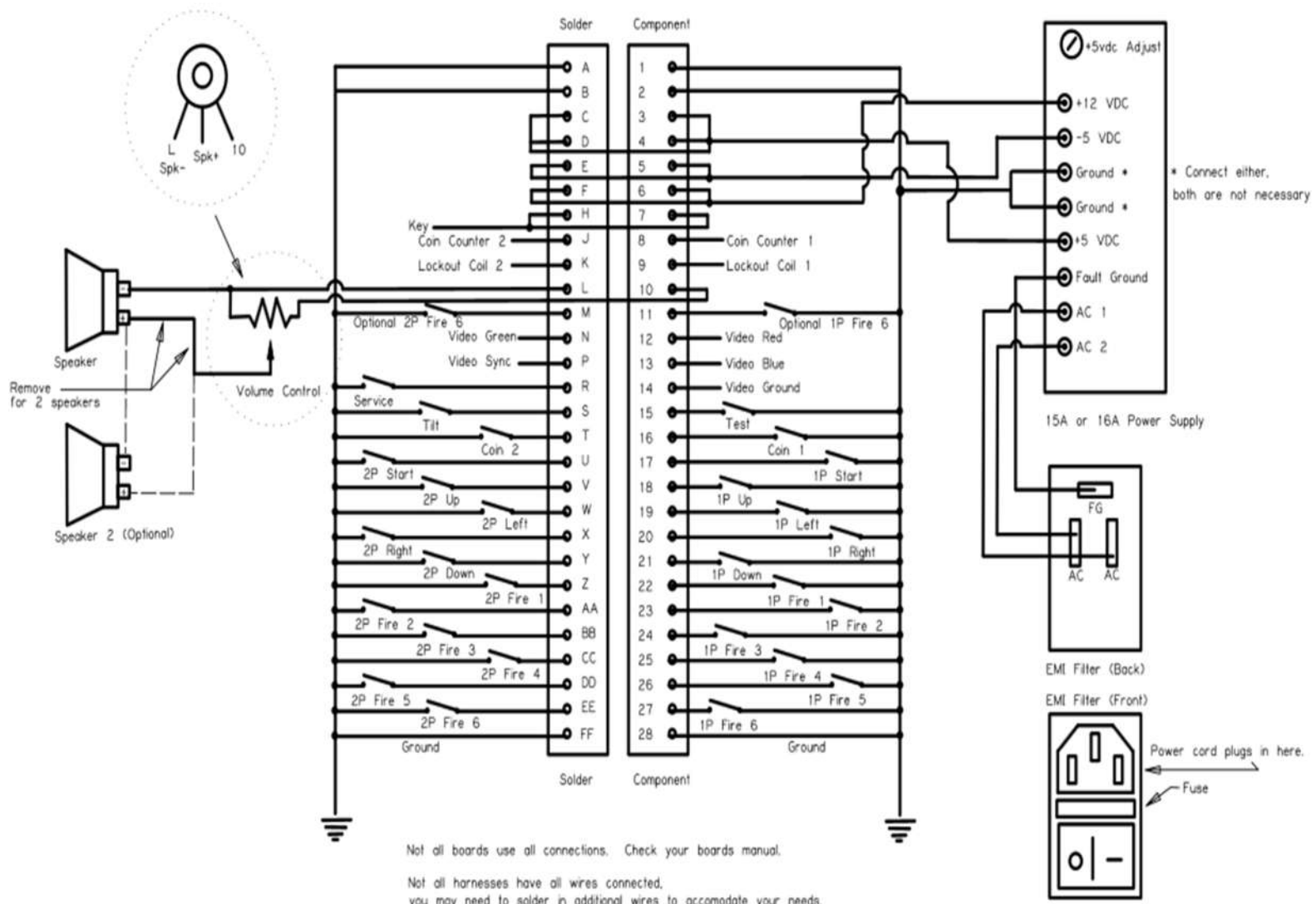
# JAMMA Harness w/.187" Quick Disconnects

## PN: RA-WIRE-HARNESS

### JAMMA Functional Connection Diagram

#### +5VDC Adjustment Instructions

1. Connect AC1, AC2 and FG
2. Power on and test +5VDC | Reading should be between 4.8 and 5.0 VDC
3. Power off and connect +12VDC, +5VDC, Ground and -5VDC if necessary
4. Power on and adjust +5VDC to between 4.8 and 5.0 VDC



Not all boards use all connections. Check your boards manual.  
 Not all harnesses have all wires connected, you may need to solder in additional wires to accommodate your needs.



# JAMMA Harness w/.187" Quick Disconnects PN: RA-WIRE-HARNESS

